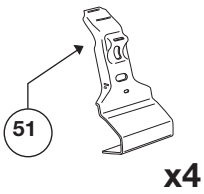
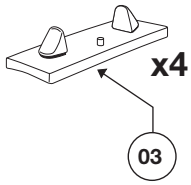
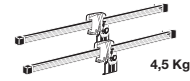
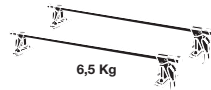
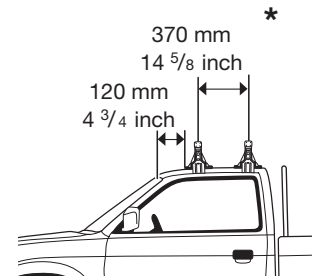
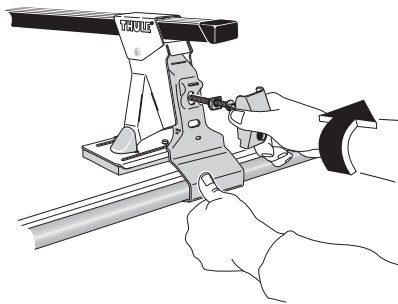


Thule System Kit 056

LINCOLN Continental, 88-94
FORD Aerostar, 85-97
FORD Ranger, 93-94
FORD Ranger Double Cabine 4-dr, 98-



	Front	Rear
LINCOLN Continental, 88-94	990 mm / 39 inch	990 mm / 39 inch
FORD Aerostar, 85-97	1108 mm / 43 ⁵ / ₈ inch	1108 mm / 43 ⁵ / ₈ inch
FORD Ranger, 93-94	1065 mm / 41 ⁷ / ₈ inch	1059 mm / 41 ³ / ₄ inch
FORD Ranger Double Cabine 4-dr, 98-	1050 mm / 41 ³ / ₈ inch	1050 mm / 41 ³ / ₈ inch



* 370 mm 14 ⁵/₈ inch

IMPORTANT! Because of the short distance between the load bars, roof boxes, surfboards, bikes and other long loads should not be transported.

